

ATKOMATIC

2000 Series

Stainless Steel, Direct Lift to 10,000 psig (690 bar)
Medium Pressure Valve Configurable for Variety of Fluid Applications



atkomatic solenoid

Features

- Direct acting valve
- Pressure to 10,000 psig (690 bar) depending on fluid and orifice size
- Barstock body construction
- Stainless steel construction on all wetted parts: 316 for pressure containing parts and plunger material is 416 stainless that is treated for increased corrosion resistance
- Will handle fluids with viscosity up to 200 SUS
- Fluid temperatures from -423° to $+500^{\circ}$ F (-253° C to 260° C)
- Suitable for use with wide variety of fluid including: air, gasses, liquids, hydraulic fluids, steam, cryogenic fluids, and corrosive fluids
- Optional seat materials of PTFE, PCTFE, Buna N, Viton®, EPR, or 316 stainless steel depending on fluid type and pressure. These are available with $\frac{1}{16}$ " through $\frac{3}{16}$ " orifices
- Seat material is Stellite® with $\frac{1}{32}$ " and $\frac{3}{64}$ " orifices
- Body seal materials of PTFE, Viton®, Buna N, or EPR.
- Flow orifice sizes of $\frac{1}{32}$ ", $\frac{3}{64}$ ", $\frac{1}{16}$ ", $\frac{3}{32}$ ", $\frac{1}{8}$ ", and $\frac{3}{16}$ "
- Pipe sizes of $\frac{1}{8}$ ", $\frac{1}{4}$ ", $\frac{3}{8}$ ", and $\frac{1}{2}$ " NPT
- British BSPT, AND, and AMINCO ports available
- Cv from 0.020 to 0.72
- Can use a class H double wound coil (requires use with a relay to drop put primary coil winding after valve actuation) depending on pressure
- Coil housings available in NEMA 1 (standard), NEMA 4 (waterproof), NEMA 7 (explosion-proof for hazardous locations), and combination NEMA 4 & 7
- Class H coil is standard

Circle Seal Controls

2301 Wardlow Circle • P.O. Box 3300 • Corona, CA 92880

Phone (951) 270-6200 Fax (951) 270-6201

www.circlesealcontrols.com • am_sales@circlesealcontrols.com • ind_sales@circlesealcontrols.com

2000 Series

Operational Pressures (No minimum pressure differential)

Single Wound Coils—Series 2000–2300 Metal (Stellite®) Seats

ORIFICE SIZE	GASES		LIQUIDS TO 40 SUS		LIQUIDS OVER 40 SUS		STEAM	
	AC	DC	AC	DC	AC	DC	AC	DC
½	8,000	3000	8,000	3000	6000	2000	300	300
¾	3500	1,800	3500	1000	3000	750	300	300

Single Wound Coils—Series 2000–2300 Metal Seats

ORIFICE SIZE	GASES		LIQUIDS TO 40 SUS		LIQUIDS OVER 40 SUS		STEAM	
	AC	DC	AC	DC	AC	DC	AC	DC
⅙	2500	1500	1,800	1000	1500	500	300	300
⅓	1000	500	800	350	500	170	300	300
½	500	200	400	125	250	60	300	125
¾	175	55	125	35	125	15	125	35

Single Wound Coils—Series 2000–2300 Soft Seats (Buna N, Viton®, EPR, PTFE, and PCTFE)

ORIFICE SIZE	GASES		LIQUIDS TO 40 SUS		LIQUIDS OVER 40 SUS		STEAM	
	AC	DC	AC	DC	AC	DC	AC	DC
⅙	2500	1,275	1500	765	1500	500	300	300
⅓	850	425	675	300	425	150	300	200
½	425	170	350	100	200	50	300	100
¾	150	40	100	30	100	17	110	30

Double Wound Coils—Series 2004–2304 Metal (Stellite®) Seats

ORIFICE SIZE	GASES		LIQUIDS TO 40 SUS		LIQUIDS OVER 40 SUS		STEAM	
	AC	DC	AC	DC	AC	DC	AC	DC
½	10,000	10,000	10,000	10,000	10,000	6000	300	300
¾	9,000	4000	9,000	4000	9,000	4000	300	300

Double Wound Coils—Series 2004–2304 Soft Seats (Buna N, Viton®, EPR, PTFE, and PCTFE)

ORIFICE SIZE	GASES		LIQUIDS TO 40 SUS		LIQUIDS OVER 40 SUS		STEAM	
	AC	DC	AC	DC	AC	DC	AC	DC
⅙	6000	4000	6000	3500	6000	2500	300	300
⅓	3500	2000	3000	1500	2000	1000	300	300
½	1000	800	600	600	500	500	300	300

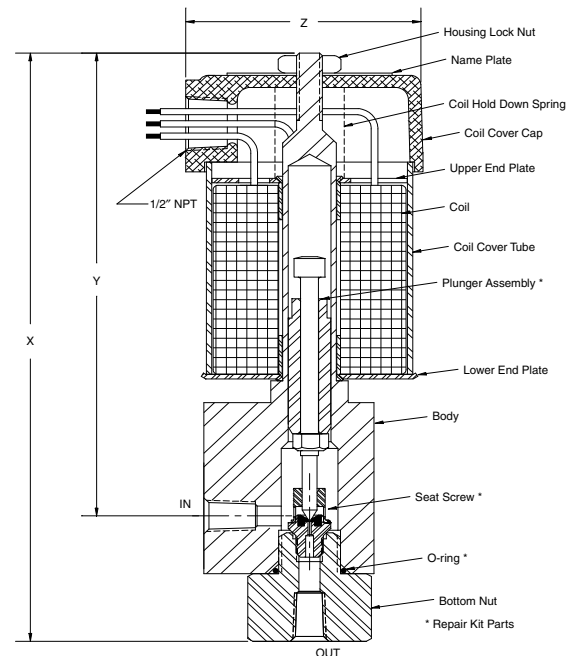
Note: Buna N, Viton® and EPR seats are limited to 500 psig (34.5 barg).

Dimensions and Shipping Weights

CATALOG NUM. PREFIX		PIPE SIZE	X	Y	NEMA 1 Z ¹	NEMA 7 Z ²	SHIPPING WEIGHT (lbs)
SINGLE WOUND COIL	DOUBLE WOUND COIL						
2000	2004	⅝"	7⅞"	6"	2¾"	4 11/16"	7
2100	2104	¼"	7⅞"	6"	2¾"	4 11/16"	7
2200	2204	⅜"	7⅞"	6"	2¾"	4 11/16"	7
2300	2304	½"	7⅞"	6"	2¾"	4 11/16"	7

Cv Flow Factors

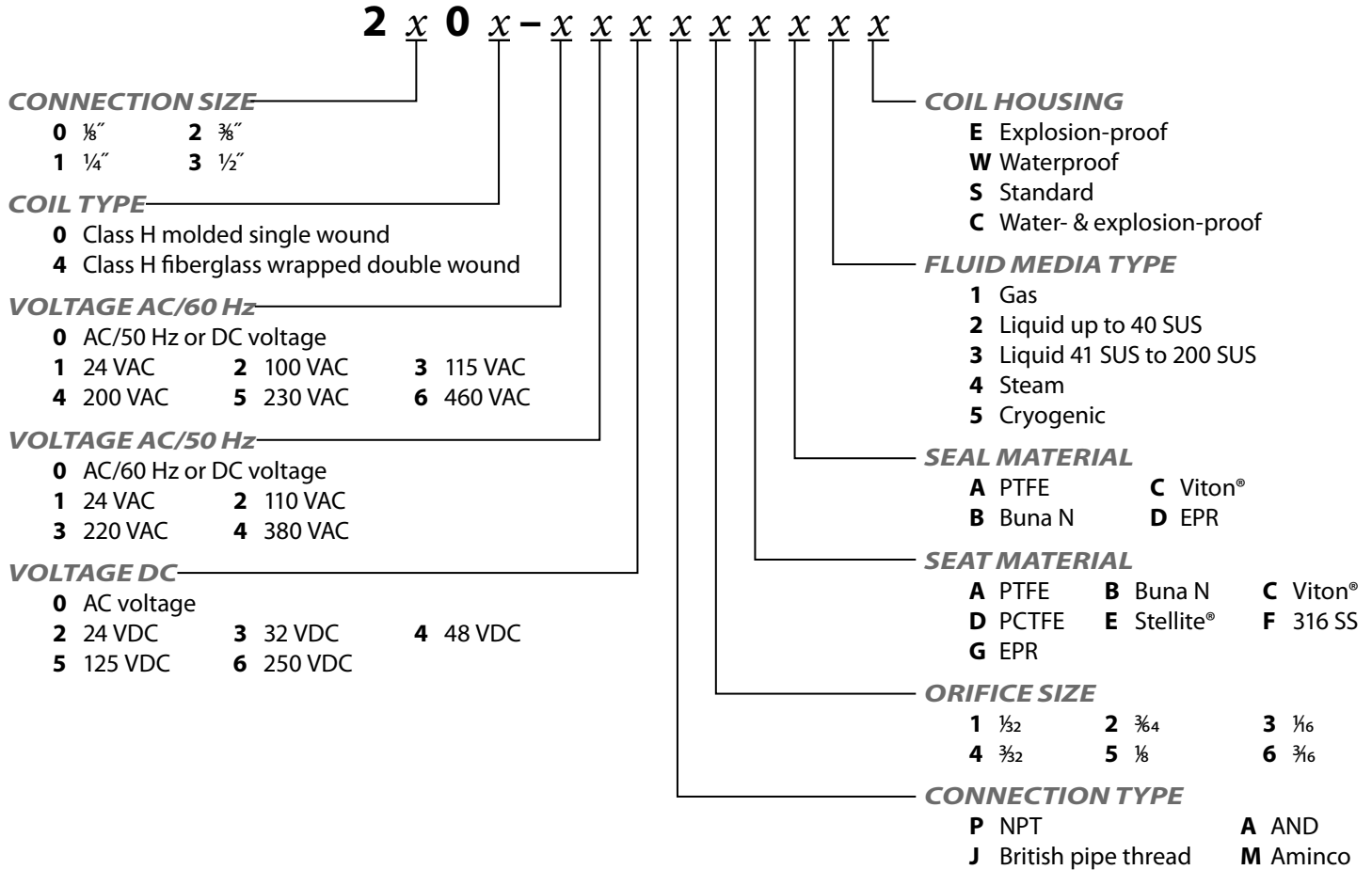
ORIFICE SIZE	Cv
½	0.020
¾	0.056
⅙	0.093
⅓	0.22
½	0.44
¾	0.72



2004 Series ⅛" valve shown with NEMA 1 coil housing and a soft seat

2000 Series

How to Order



Viton® is a registered trademark of DuPont Dow Elastomers.
 Stellite® is a registered trademark of Deloro Stellite Company Inc.